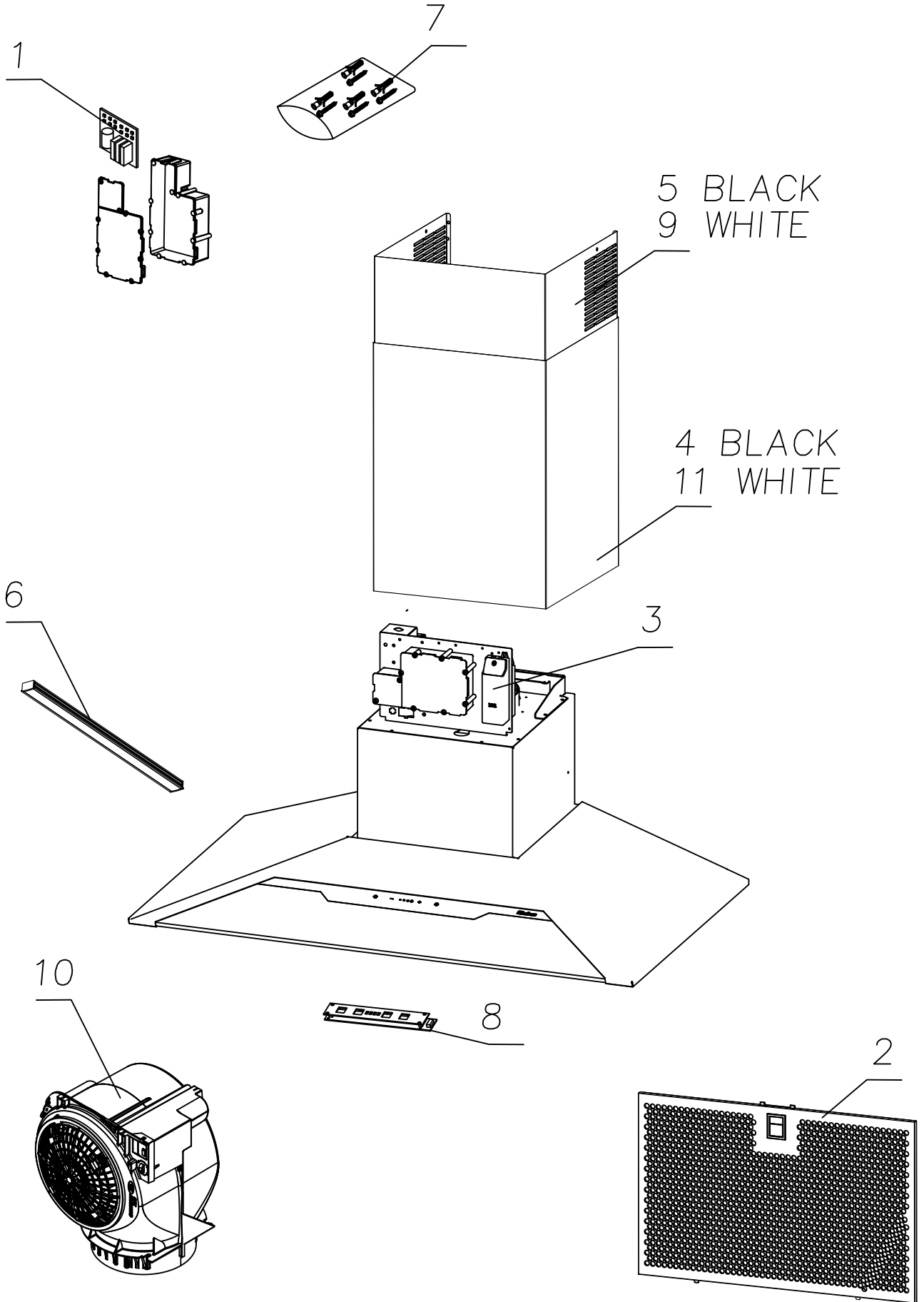


SU97 TC



27-06-2019



DEUSA000013